

**LUCAS**  
**GIRLING**

**EQUIPMENT AND  
SERVICE PARTS**

**BRITCYCLE**  
www.britcycle.com.au

**CE825/68**

**NORTON -  
MATCHLESS**

Motor Cycles

**1968**



[www.britcycle.com.au](http://www.britcycle.com.au)



**EQUIPMENT SPECIFICATIONS**

**NORTON-MATCHLESS GROUP**

Matchless 500cc 'G80CS' (Competition model, 6 volt, U.S.A. only)  
A.J.S. 750cc '33' (Home) and '33CS' (Export)  
Matchless 750cc 'G15' (Home) and 'G15 Mk. II' (Export)  
Matchless 750cc 'G15CSR' and 'G15CS' (Export)

Unit	Model	Part No.	Unit	Model	Part No.
Alternator	RM19	54021027A	<b>LAMPS</b>		
Serviced by:			Head, Home and Export ... ..	SS700P	59666A
Stator ... ..	—	47162A	" " " " G15CSR only	SS700P	59579A
Rotor ... ..	—	★54213901	" " " " G80CS only	SS700P	59667A
Alternator, (later, except G80CS)	RM19	54021165	Head, Export Europe, except France	SS700P	59761A
Serviced by:			G15CSR only	SS700P	59763A
Stator ... ..	—	★47204A	Head, Export France ... ..	SS700P	59760A
Rotor ... ..	—	★54213901	" " " " G15CSR only ... ..	SS700P	59762A
Ammeter ... ..	2AR	★36296A	Stop tail, number plate and reflex	564	53454D
Battery, (2 off) ... ..	MKZ9E	54028050	G80CS only	679	53972B
Battery, G80CS only ... ..	MLZ9E	54028459	Rectifier ... ..	2DS506	49072A
Cable harness, Home and Export	—	54939967	<b>SWITCHES</b>		
G80CS only ... ..	—	54932304	Ignition ... ..	S45	31899B
Coil, ignition ... ..	MA12	45110D	Lighting ... ..	88SA	34289A
Coil, ignition, G80CS only ... ..	MA6	45152B	Knob ... ..	—	‡54330934
Contact breaker ... ..	4CA	*47605A	Lighting, G80CS only ... ..	41SA	31784D
		(425379 & 54415750)	Stop lamp ... ..	118SA	★34815A
Diode, Zener ... ..	ZD715	★49345A	Rubber pad ... ..	—	‡380459
Horn ... ..	6H	*★70197D (70183)	Warning light (main beam) ... ..	WL15	★38189A
Horn, G80CS only ... ..	6H	*★70196A (70182)	<b>REAR SUSPENSION UNIT</b>		
Horn push and dipper switch ... ..	25SA	31563D	(Serviced by Girling)		
			All models except those below ... ..	—	4590 (SB4)
			G15CSR ... ..	—	4763
			G80CS ... ..	—	4392 (SB4)

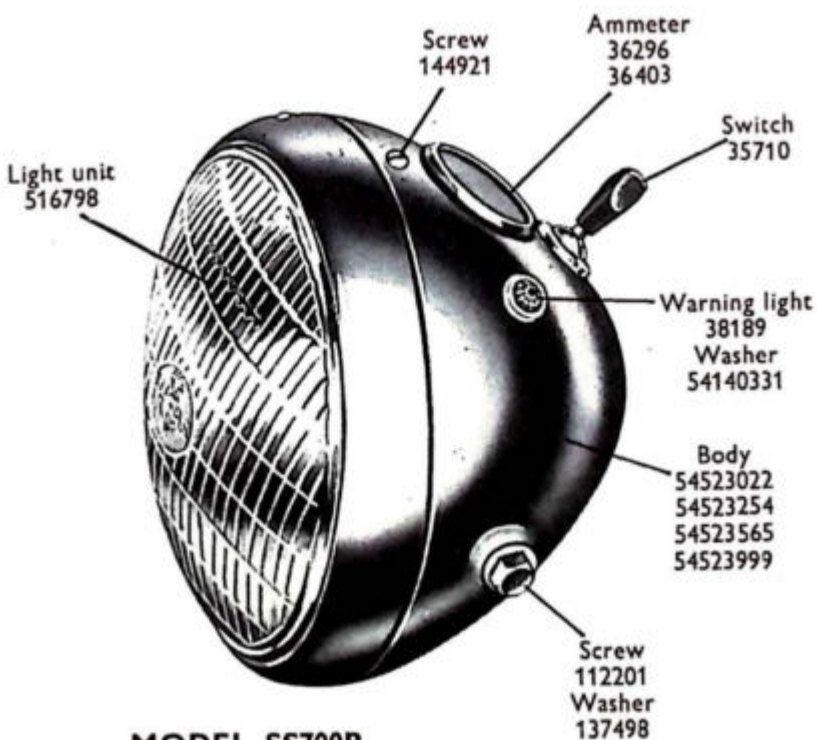
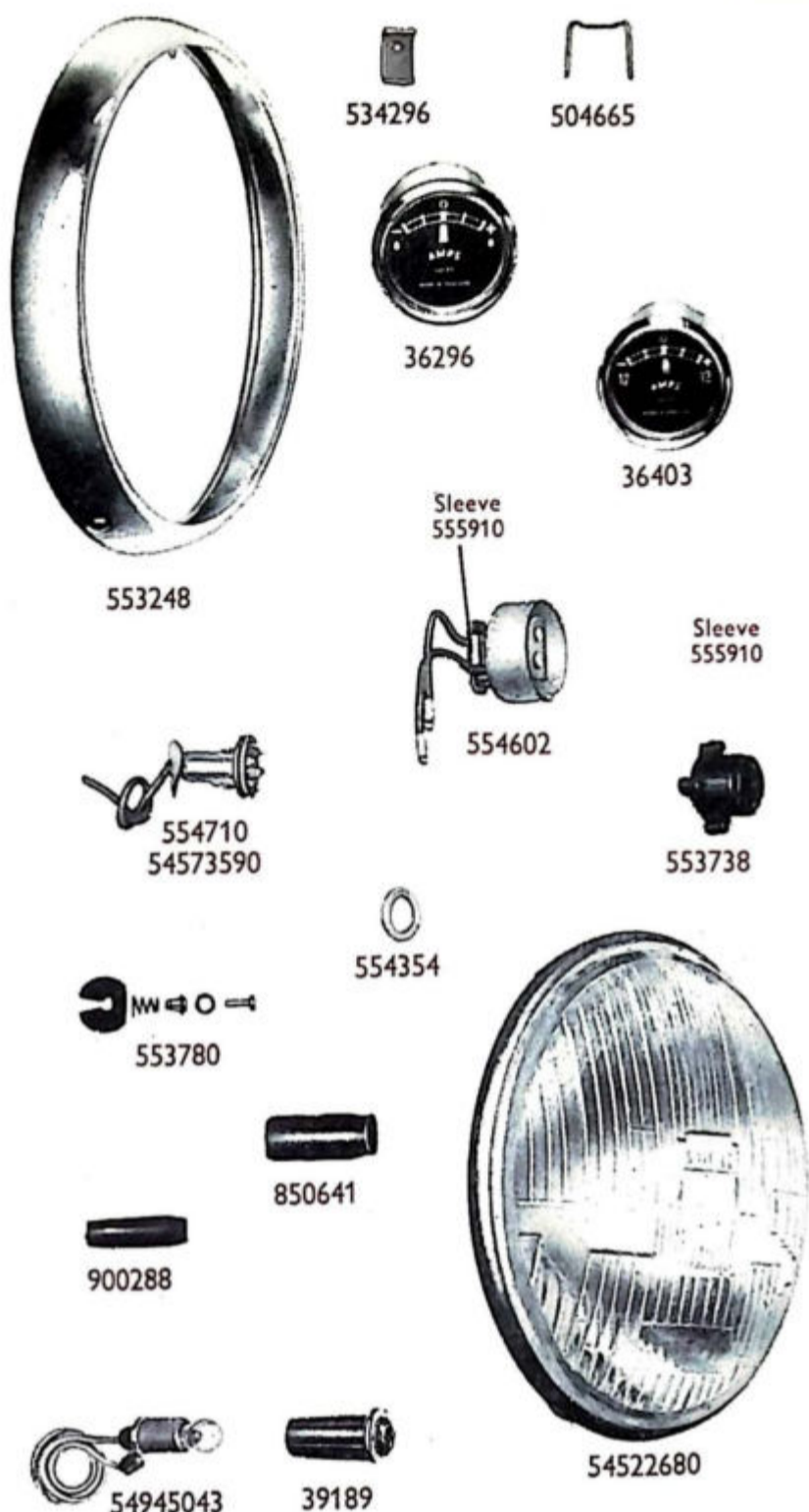
**MATCHLESS 750cc 'P11'**

Unit	Model	Part No.	Unit	Model	Part No.
Alternator ... ..	RM19	54021165	Horn ... ..	6H	*★70197D (70183)
Serviced by:			Horn push and dipper switch ... ..	25SA	31563D
Stator ... ..	—	★47204A	<b>LAMPS</b>		
Rotor ... ..	—	★54213901	Head, Home and Export ... ..	SS700P	59666A
Ammeter ... ..	2AR	★36296A	Stop tail number plate and reflex ... ..	679	53973D
Battery ... ..	PUZ5A	54027029	Reflex reflectors, red ... ..	RER24	★57111A
Cable harness ... ..	—	54952937	" " amber ... ..	RER25	★57162A
Capacitor ... ..	2MC	54170009	Rectifier ... ..	2DS506	49072A
Spring, mounting ... ..	—	‡54483156	<b>SWITCHES</b>		
Coil, ignition ... ..	MA12	45110D	Engine cut-out ... ..	SS5	★35601A
Contact breaker ... ..	4CA	*47627A	Ignition ... ..	S45	31899B
		(425379 & 54418910)	Lighting ... ..	88SA	34289A
" " later ... ..	6CA	*47643A	Knob ... ..	—	‡54330934
		(54419097 and 54419340)	Stop light ... ..	118SA	★34815A
Condenser pack (later) ... ..	2CP	47638A	Warning light (main beam) ... ..	WL15	★38189A
Diode, Zener ... ..	ZD715	★49345A	<b>REAR SUSPENSION UNIT</b>		
			(Serviced by Girling)	—	4590

**NORTON 647cc '650SS'**  
**650cc 'Manxman' (U.S.A. only)**  
**750cc 'Atlas', 'N15' (Export) and 'N15CS' (Export)**

Unit	Model	Part No.	Unit	Model	Part No.
Alternator ... ..	RM19	54021027A	<b>LAMPS</b>		
Serviced by:			Head, Home and Export, vertical dip	SS700P	59666A
Stator ... ..	—	47162A	Head, Export Europe, except France	SS700P	59761A
Rotor ... ..	—	★54213901	Head, Export France ... ..	SS700P	59760A
Alternator, (later except N15 and N15CS)	RM19	54021165	Stop tail, number plate and reflex ... ..	564	53454D
Serviced by:			Stop tail, number plate and reflex, U.S.A. (except "650SS") ... ..	679	53973D
Stator ... ..	—	★47204A	Rectifier ... ..	2DS506	49072A
Rotor ... ..	—	★54213901	<b>SWITCHES</b>		
Ammeter ... ..	2AR	★36296A	Ignition ... ..	S45	31899B
Battery (2 off) ... ..	MKZ9E	54028050	Lighting ... ..	88SA	34289A
Cable harness ... ..	—	54939968	Knob ... ..	—	‡54330934
Cable harness, N15 and N15CS only ... ..	—	54939967	Stop lamp ... ..	118SA	★34815A
Coil, ignition ... ..	MA12	45110D	Rubber pad ... ..	—	‡380459
Contact breaker ... ..	4CA	*47605A	Warning light (main beam) ... ..	WL15	★38189A
		(425379 & 54415750)	<b>REAR SUSPENSION UNIT</b>		
Diode, Zener ... ..	ZD715	★49345A	(Serviced by Girling)		
Horn ... ..	6H	*★70197D (70183)	Except "N15" and "N15CS" ... ..	—	4423 (SB3)
Horn push and dipper switch ... ..	25SA	31563D			

\*When ordering, quote part number shown in brackets      ★Service complete unit only  
||Part of headlamp      ‡Order separately



**MODEL SS700P**

**HEADLAMPS**

Part No. ... ..	59579A SS700P	59666A SS700P	59667A SS700P	59760A SS700P
Rim or door ... ..	553248	553248	553248	553248
Wire fixing ... ..	504665	504665	504665	504665
Screw, rim fixing ... ..	144921	144921	144921	144921
Plate, rim fixing ... ..	534296	534296	534296	534296
Ammeter ... ..	36296	36296	36296	36296
Warning light body assembly ... ..	38189	38189	38189	38189
Sealing washer, warning light ... ..	54140331	54140331	54140331	54140331
Light unit ... ..	516798	516798	516798	54522680
Bulbholder, main ... ..	554602	554602	554602	553738
Sleeve, terminal ... ..	555910	555910	555910	555910
Bulbholder, pilot ... ..	554710	554710	554710	54573590
Interior, pilot ... ..	553780	553780	553780	553780
Ring, pilot bulbholder seating	554354	554354	554354	554354
Screw, lamp fixing ... ..	112201	112201	112201	112201
Washer, lamp screw fixing ... ..	137498	137498	137498	137498
Body ... ..	54523022	—	54523254	—
Connector, double	—	—	850641	—
Bulb, main ... ..	446	446	312	411
Bulb, pilot ... ..	989	989	988	989

Part No. ... ..	59761A SS700P	59762A SS700P	59763A SS700P
Rim or door ... ..	553248	553248	553248
Wire fixing ... ..	504665	504665	504665
Screw, rim fixing ... ..	144921	144921	144921
Plate, rim fixing ... ..	534296	534296	534296
Ammeter ... ..	36296	36296	36296
Warning light body assembly ... ..	38189	38189	38189
Sealing washer, warning light ... ..	54140331	54140331	54140331
Light unit ... ..	54522680	54522680	54522680
Bulbholder, main ... ..	553738	553738	553738
Sleeve, terminal ... ..	555910	555910	555910
Bulbholder, pilot ... ..	54573590	54573590	54573590
Interior, pilot ... ..	553780	553780	553780
Ring, pilot bulbholder seating	554354	554354	554354
Screw, lamp fixing ... ..	112201	112201	112201
Washer, lamp screw fixing ... ..	137498	137498	137498
Body ... ..	—	54523565	54523565
Connector ... ..	—	900288	900288
Connector, double ... ..	—	850641	850641
Bulb, main ... ..	410	411	410
Bulb, pilot ... ..	989	989	989

Part No. ... ..	59872A SS700P	59873A SS700P	59874A SS700P
Rim or door ... ..	553248	553248	553248
Wire fixing ... ..	504665	504665	504665
Screw, rim fixing ... ..	144921	144921	144921
Plate, rim fixing ... ..	534296	534296	534296
Ammeter ... ..	36403	36403	36403
Warning light body assembly ... ..	38189	38189	38189
Sealing washer, warning light ... ..	54140331	54140331	54140331
Bulbholder, warning light ... ..	54945043	54945043	54945043
Switch, lighting ... ..	35710	35710	35710
Light unit ... ..	516798	54522680	54522680
Adaptor ... ..	—	553738	553738
Bulbholder, main ... ..	554602	—	—
Sleeve, terminal ... ..	555910	—	—
Bulbholder, pilot ... ..	54573590	54573590	54573590
Interior, pilot ... ..	553780	553780	553780
Ring, pilot bulbholder seating	554354	554354	554354
Screw, lamp fixing ... ..	112201	112201	112201
Washer, lamp screw fixing ... ..	137498	137498	137498
Body ... ..	54523999	54523999	54523999
Connector, double ... ..	850641	850641	850641
Connector, single ... ..	—	900288	900288
Bulb, warning light ... ..	281	281	281
Bulb, main ... ..	446	411	410
Bulb, pilot ... ..	989	989	989



## EQUIPMENT SPECIFICATIONS

### NORTON 750cc 'Commando'

Unit	Model	Part No.	Unit	Model	Part No.
<b>Alternator</b> ... ..	RM21	54021167	<b>LAMPS</b>		
Serviced by:			Head, Home and U.S.A. ... ..	SS700P	*59872A (59883)
Stator ... ..	—	★47205A	Head, Export Europe, except France	SS700P	*59874A (59885)
Rotor ... ..	—	★54213901	Head, Export France ... ..	SS700P	*59873A (59885 & Bulb 411)
<b>Ammeter</b> ... ..	2AR	★36403A	Stop tail, number plate and reflex ...	679	53973D
<b>Battery</b> ... ..	PUZ5A	54027029	Rectifier ... ..	2DS506	49072A
<b>Cable harness</b> ... ..	—	54954277	Reflex reflector, red ... ..	RER25	★57110A
<b>Capacitor</b> ... ..	2MC	54170009	Reflex reflector, amber ... ..	RER25	★57162A
Spring, mounting ... ..	—	‡54483156	<b>SWITCHES</b>		
<b>Contact breaker</b> ... ..	6CA	*47632D (54419097 and 54419340)	Ignition ... ..	S45	31899B
			Lighting ... ..	57SA	★35710A
<b>Condenser pack</b> ... ..	2CP	47638A	Stop light ... ..	118SA	★34815A
<b>Diode, Zener</b> ... ..	ZD715	★49345A	Warning light (main beam) ... ..	WL15	★38189A
<b>Horn</b> ... ..	9H	54068152			
Bracket (2 off) ... ..	—	54680686	<b>REAR SUSPENSION UNIT</b> (Serviced by Girling)	—	2148

\*When ordering, quote part numbers shown in brackets  
 †Part of headlamp      ★Service complete unit only  
 ‡Order separately

### ALTERNATORS

Part No.	Model	§54021027A RM19	§54021165 RM19	§54021167 RM21
Stator ... ..		47162A	47204A	47205A
Clip, cable ... ..		54210167	—	—
Washer, cable clip ... ..		131023	—	—
Rotor ... ..		54213901	54213901	54213901

### AMMETERS

Part No.	Model	36296 2AR	36403 2AR

### CAPACITOR

Part No.	Model	54170009 2MC
Spring, mounting ... ..		‡54483156

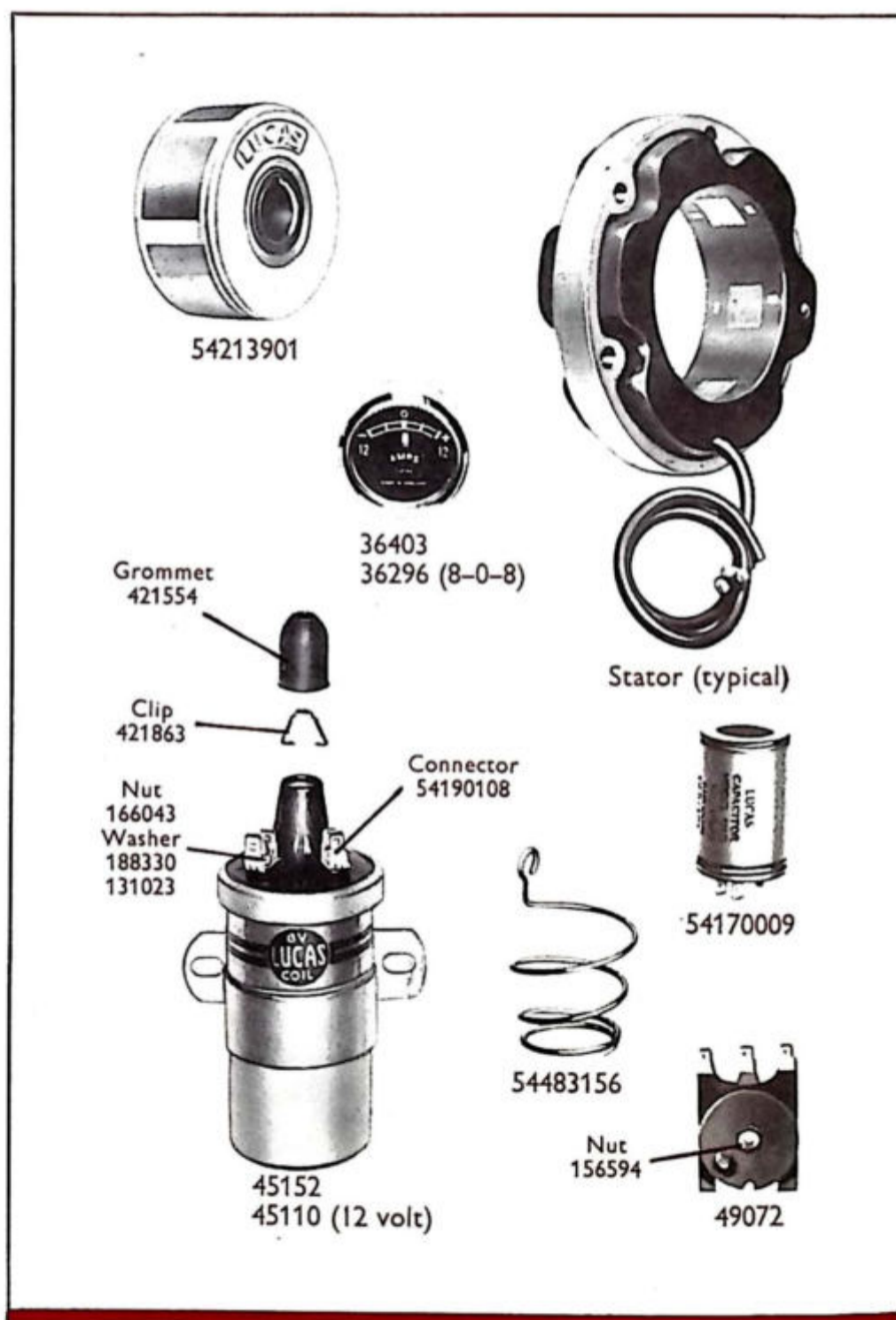
### COILS, IGNITION

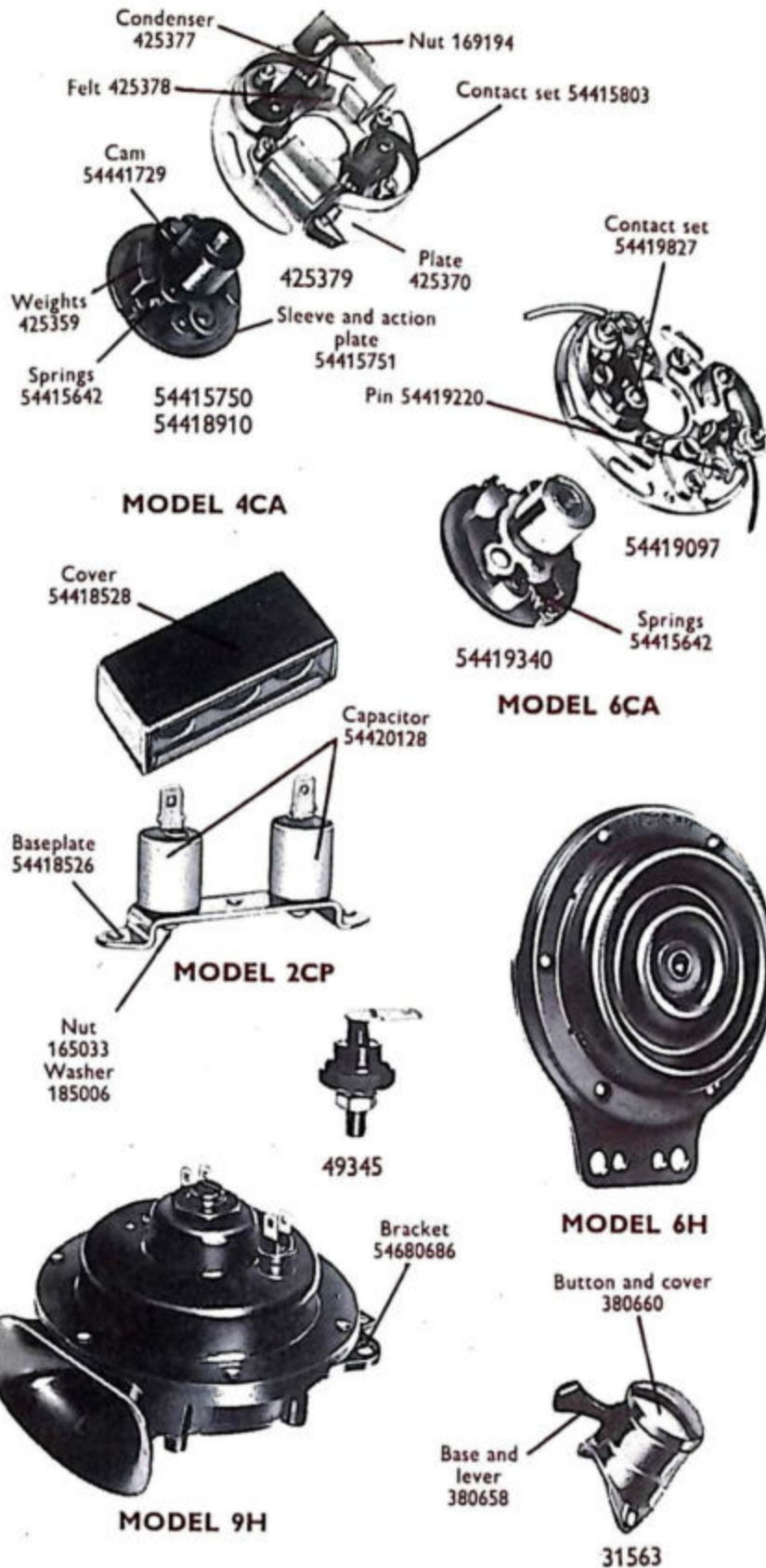
Part No.	Model	45152A/B MA6	45110D MA12
Grommet, rubber ... ..		421554	421554
Clip, cable contact ... ..		421863	421863
Nut, switch and contact breaker terminals ... ..		166043	166043
Washer, shakeproof, terminal ... ..		188330	188330
Washer, plain, terminal ... ..		131023	131023
Connector, Lucar ... ..		54190108	54190108

### RECTIFIER

Part No.	Model	49072A 2DS5A
Nut, fixing ... ..		156594

§Complete unit serviced by component parts. ‡Order separately.





**CONTACT BREAKER UNITS**

Part No.	...	...	...	47605A/B	47627A	47632D
Model	...	...	...	4CA	4CA	47643A 6CA
Contact breaker	...	...	...	425379	425379	54419097
Contact set	...	...	...	54415803	54415803	54419827
Nut, condenser angle plate fixing	...	...	...	169194	169194	—
Pin, adjustment	...	...	...	—	—	54419220
Plate, condenser terminal insulating	...	...	...	425382	425382	—
Condenser	...	...	...	425377	425377	—
Plate, contact breaker base	...	...	...	425370	425370	—
Felt, cam lubricating	...	...	...	425378	425378	—
Auto advance unit	...	...	...	54415750	54418910	54419340
Springs, auto advance	...	...	...	54415642	54415642	54415642
Cam	...	...	...	54441729	—	—
Weights, auto advance	...	...	...	425359	—	—
Sleeve and action plate	...	...	...	54415751	—	—

**CONDENSER PACK**

Part No.	...	...	...	...	...	...	47638A
Model	...	...	...	...	...	...	2CP
Capacitor	...	...	...	...	...	...	54420128
Cover	...	...	...	...	...	...	54418528
Nut	...	...	...	...	...	...	165033
Washer, spring	...	...	...	...	...	...	185006
Base plate	...	...	...	...	...	...	54418526

**DIODE, ZENER**

Part No.	...	...	...	...	...	...	49345A
Model	...	...	...	...	...	...	ZD715
	...	...	...	...	...	...	

**HORNS**

Part No.	...	...	70196A	70197A	70197D	54068152
Model	...	...	6H	6H	6H	9H
Bracket	...	...	—	—	—	54680686

**HORN PUSH AND DIPPER SWITCH**

Part No.	...	...	...	...	...	...	31563D
Model	...	...	...	...	...	...	25SA
Button and cover assembly	...	...	...	...	...	...	380660
Base and lever assembly	...	...	...	...	...	...	380658
Screw, terminal	...	...	...	...	...	...	120610

**CABLE SUNDRIES**

Adaptor, insulated return, push in	...	...	...	...	...	863511
Adaptor, M.E.S., push in	...	...	...	...	...	554734
Adaptor, M.E.S., non claw type	...	...	...	...	...	54944812
Adaptor, Peanut type, push in	...	...	...	...	...	54945043
Connector, nipple, cable end	...	...	...	...	...	900269
Connector tube, 2-way	...	...	...	...	...	900288
Connector tube, 4-way	...	...	...	...	...	850641
Connector tube, 6-way (black rubber)	...	...	...	...	...	850844
Connector tube, 10-way	...	...	...	...	...	850832
Eyelet, 5/8" o.d. x 1/2" i.d.	...	...	...	...	...	850406
Eyelet, 3/8" o.d. x 3/16" i.d.	...	...	...	...	...	850405
Eyelet, 3/16" (flag)	...	...	...	...	...	187704
Eyelet, 3/16"	...	...	...	...	...	900450
Eyelet, 1/8" ring type	...	...	...	...	...	187700
Eyelet, 3/16" ring type	...	...	...	...	...	187009
Fuse holder	...	...	...	...	...	54190387
Lucar connector, 17.5 amp.	...	...	...	...	...	54942078
Lucar connector, 35 amp.	...	...	...	...	...	54942079
Lucar connector, 17.5 amp., double	...	...	...	...	...	54942747
Lucar sleeve, 17.5 amp.	...	...	...	...	...	54190042
Lucar sleeve, 35 amp.	...	...	...	...	...	54190043
Lucar sleeve, 17.5 amp., double	...	...	...	...	...	54190119

§ Complete unit serviced by component parts.



**STOP TAIL, REFLEX AND  
NUMBER PLATE LAMPS**

Part No.	Model	53454D 564	53972D 679	53973D 679
Lens	...	—	54577109	54577109
Screw, lens fixing	...	—	572289	572289
Lens and window	...	54576001	—	—
Nut, barrel, lens fixing	...	575219	—	—
Gasket, lens seating	...	575208	—	—
Bulbholder, with reflector	...	—	54574348	54574348
Interior bulbholder	...	573828	573828	573828
Bulbholder	...	575209	—	—
Grommet, bulbholder	...	575207	—	—
Base	...	54573881	54577139	54577139
Grommet, cable entry	...	573825	—	—
Gasket, lamp seating	...	—	54571677	54571677
Nut, lamp fixing	...	166019	—	—
Washer, shakeproof	...	188330	—	—
Washer, spacer fixing bolt	...	131023	—	—
Screw, lamp fixing	...	—	110714	110714
Washer, screw fixing	...	—	188330	188330
Bulb	...	380	384	380

**REFLEX REFLECTORS**

Part No.	Model	57110A RER25	57111A RER24	57162A RER25
Model	...	...	...	...

**ENGINE CUT-OUT SWITCH**

Part No.	Model	35601A SS
Model	...	...

**IGNITION SWITCH**

Part No.	Model	31899B S45
Model	...	...
Nut, fixing	...	54130041

**LIGHTING SWITCHES**

Part No.	Model	31784D 41SA	34289A 88SA	35710A 57SA
Nut, fixing	...	—	180316	—
Washer, nut fixing	...	—	188350	—
Knob	...	351815	‡54330934	—
Washer, knob screw fixing	...	185038	—	—
Screw, terminal	...	120560	—	—
Roller	...	351660	—	—
Plunger	...	351661	—	—
Spring	...	351662	—	—
Socket with cables	...	—	‡54930007	—

**STOP LAMP SWITCH**

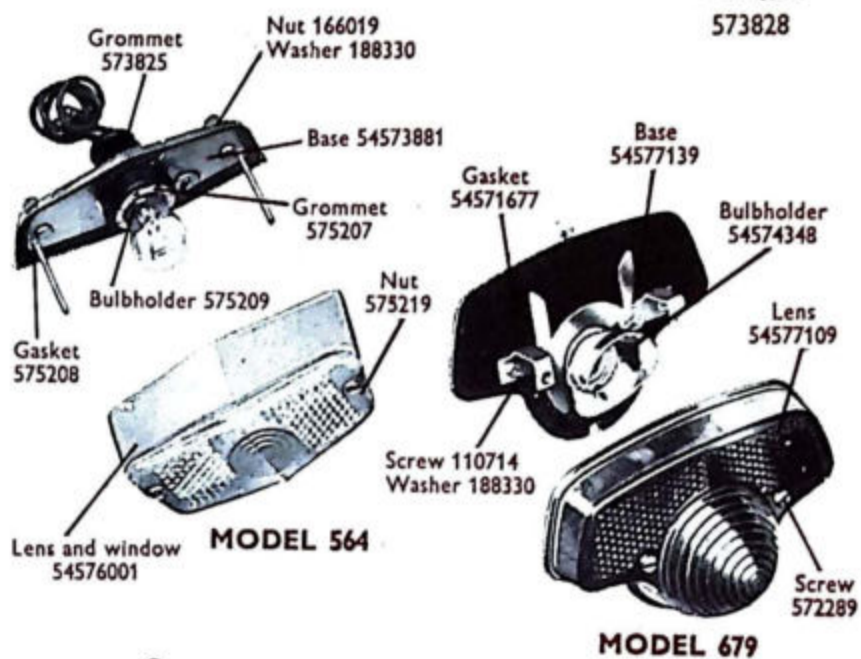
Part No.	Model	34815A 118SA
Model	...	...
Rubber pad	...	‡380459

**BULBS**

Part No.	Volt	Watts	Description
281	12	2.0	Coil, Sub miniature
312	6	30/24	Transverse, vertical dip
380	12	21/6	Transverse, offset pin
384	6	18/6	Transverse, offset pin
410	12	45/40	Duplo "D"
411	12	45/40	Duplo "D", yellow
446	12	50/40	Transverse, vertical dip
988	6	3	Coil, miniature bayonet cap
989	12	6	Coil, miniature bayonet cap

‡ Order separately.

www.britcycle.com.au



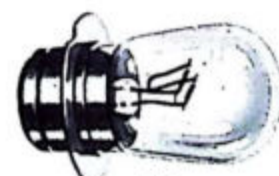
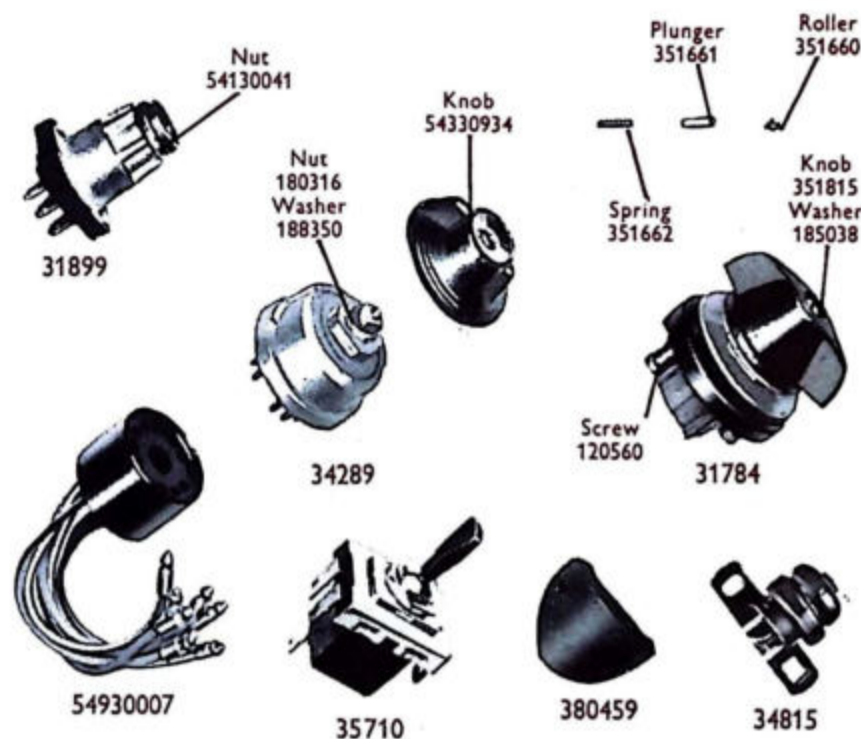
MODEL RER24



MODEL RER25



35601



312  
446



380  
384



410  
411



281



988  
989